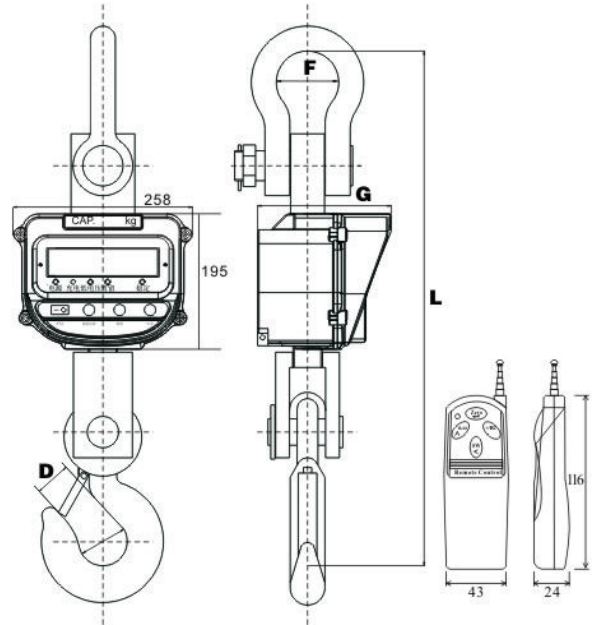


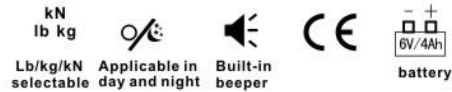


# Digital Crane Scale

## Blue Arrow XZ-AAC-Lux Crane Scale



unit:mm



### Features

- Microdiecasting aluminum-magnesium alloy housing with high strength and pleasant appearance
- 360° safe rotated hook, convenient to use
- 5-digit 40mm LCD display with LED backlighting for using both in the room and outdoor
- Multi-functions including Hold, Zero and Division convert
- Promptly unlock the rear casing to change the battery

### Technical Specifications

- Executive Standard: GB/T 11883-2002
- Accuracy: III OIML R76
- Time to Stable Reading: ≤8s
- Maximum Safe Load: 150%F.S.
- Ultimate Overload: 500%F.S.
- Overload Alarm: 100%F.S.+9e
- Operating Temperature: -10℃ ~ 40℃
- Storage Temperature: -20℃ ~ 60℃

Max Capacity	Division	Weight	L	F	G	D
600kg	0.2/0.1kg	11kg	530	76	167	34
1000kg	0.5/0.2kg	11kg	530	76	167	34
2000kg	1/0.5kg	11kg	530	76	167	34
3000kg	1/0.5kg	12kg	547	76	167	40
5000kg	2/1kg	18kg	634	80	176	48
10000kg	5/2kg	32kg	735	90	191	52
15000kg	10/5kg	48kg	855	135	196	60

**Distributor (US and Canada)**  
**Optoco Inc.**  
**600 - 2498 West 41st Ave**  
**Vancouver, BC, V6M 2A7**  
**Tel: 778-706-6933**  
**Email: info@optoco.ca**  
**Web: www.crane-scale.com**

Specifications are subject to change without notice.