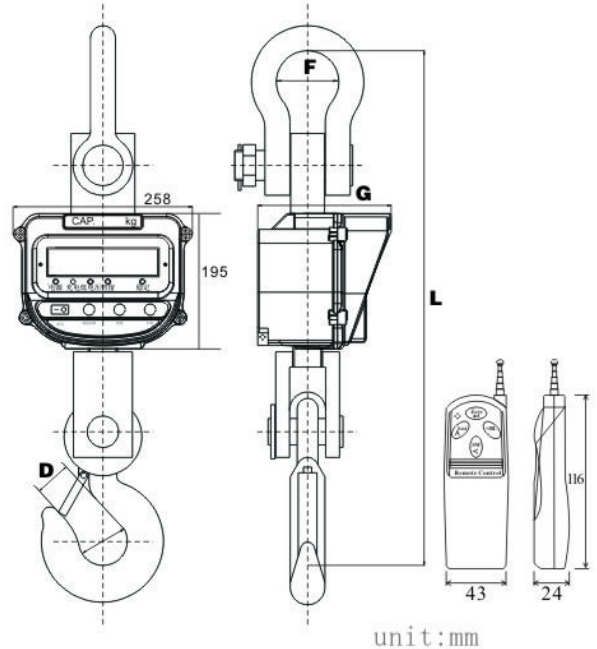




Digital Crane Scale

XZ-AAE-Lux Crane Scale



unit:mm



Remote Controller

kN
lb kg

Lb/kg/kN
selectable



Built-in
beeper



6V/4Ah
battery

Features

- AAE(LUX) series scales with stable performance and classic style
- 360°safe rotated hook, convenient to use
- Super bright 5-digit LED display with 300mm height
- Microdiecasting aluminum-magnesium alloy housing with high strength and pleasant appearance
- Multi-functions including Hold, Zero and Division convert
- Promptly unlock the rear casing to change the battery

Technical Specifications

Executive Standard GB/T: 11883-2002

Accuracy : ① OIML R76

Time to Stable Reading : ≤8s

Maximum Safe Load : 150%F.S.

Ultimate Overload: 500%F.S.

Overload Alarm : 100%F.S.+9e

Operating Temperature: -10°C ~ 40°C

Storage Temperature: -20°C ~ 60°C

Max Capacity	Division	Weight	L	F	G	D
600kg	0.2/0.1kg	11kg	530	76	167	34
1000kg	0.5/0.2kg	11kg	530	76	167	34
2000kg	1/0.5kg	11kg	530	76	167	34
3000kg	1/0.5kg	12kg	547	76	167	40
5000kg	2/1kg	18kg	634	80	176	48
10000kg	5/2kg	32kg	735	90	191	52
15000kg	10/5kg	48kg	855	135	196	60

Distributor (US and Canada)
Optoco Inc.
600 - 2498 West 41st Ave
Vancouver, BC, V6M 2A7
Tel: 778-706-6933
Email: info@optoco.ca
Web: www.crane-scale.com

Specifications are subject to change without notice.