

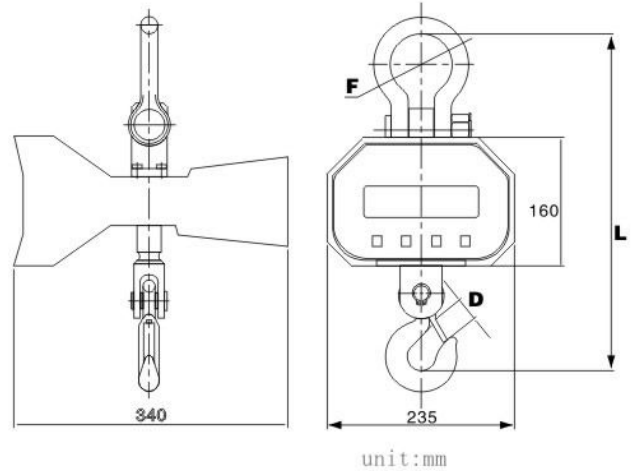


# Digital Crane Scale

## XZ-CCE(g) Crane Scale with Handheld Display



PII Handheld Display (Option)



kN  
lb kg  
Lb/kg/kN  
selectable

Built-in  
beeper



6V/4Ah  
battery

TOTALISING G/R display battery

### Features

- Integrated load cell design with light weight aluminum alloy housing
- Peak hold, division selection and total functions
- 5-digit 40mm super bright LED display
- Special auto weighing and auto total functions
- P II wireless indicator selectable
- OLED dot matrix display makes customized interface on boot-up available
- Broad range of working temperature, no delay in displaying weighing date under low temperature
- Unique frequency sweeping function, supporting fast match and indicator mutual exchanging

### Technical Specifications

Executive Standard: GB/T 11883-2002  
 Accuracy:  $\text{III}$  OIML R76  
 Time to Stable Reading:  $\leq 8s$   
 Maximum Safe Load: 150%F.S.  
 Ultimate Overload: 500%F.S.  
 Overload Alarm: 100%F.S.+9e  
 Operating Temperature:  $-10^{\circ}\text{C} - 40^{\circ}\text{C}$   
 Storage Temperature:  $-20^{\circ}\text{C} - 60^{\circ}\text{C}$

Max Capacity	Division	Weight	L	F	D
600kg	0.2/0.1kg	11kg	460	76	34
1000kg	0.5/0.2kg	11kg	460	76	34
2000kg	1/0.5kg	11kg	460	76	34
3000kg	1/0.5kg	12kg	486	76	40
5000kg	2/1kg	18kg	560	80	48
10000kg	5/2kg	32kg	630	90	52
15000kg	10/5kg	48kg	749	135	60

Specifications are subject to change without notice.

**Distributor (US and Canada)**  
**Optoco Inc.**  
 600 - 2498 West 41st Ave  
 Vancouver, BC, V6M 2A7  
 Tel: 778-706-6933  
 Email: info@optoco.ca  
 Web: www.crane-scale.com