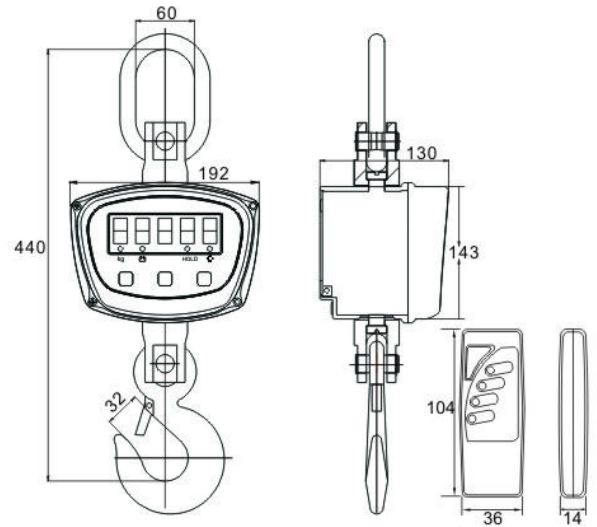




Digital Crane Scale

Blue Arrow XZ-GGC-Pro Crane Scale



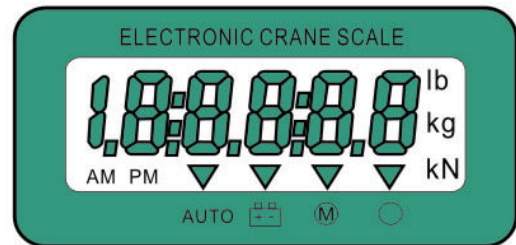
unit:mm

kN
lb kg
Lb/kg/kN Applicable in
selectable day and night
Built-in
beeper
6V/3.2Ah
battery

Features

- Microdiecasting aluminum-magnesium alloy housing light weight, anti-dust and anti-magnetic
- 360°swivel shackle & hook
- Quick-install battery design makes it convenient to replace the battery
- High definition FSTN display, 5 digit 20 mm LCD display with backlighting
- Divisions and unit conversion switch

LCD Display



Technical Specifications

Executive Standard : GB/T 11883-2002
 Accuracy: $\pm 0.1\%$ OIML R76
 Time to Stable Reading: $\leq 8s$
 Maximum Safe Load: 150%F.S.
 Ultimate Overload: 500%F.S.
 Overload Alarm: 100%F.S.+9e
 Operating Temperature: $-10^{\circ}C \sim 40^{\circ}C$
 Storage Temperature: $-20^{\circ}C \sim 60^{\circ}C$

Max Capacity	Division	Weight
500kg	0.2/0.1kg	5kg
1000kg	0.5/0.2kg	5kg
1500kg	0.5/0.2kg	5kg
2000kg	1.0/0.5kg	5kg

Distributor (US and Canada)
Optoco Inc.
 600 - 2498 West 41st Ave
 Vancouver, BC, V6M 2A7
 Tel: 778-706-6933
 Email: info@optoco.ca
 Web: www.crane-scale.com

Specifications are subject to change without notice.