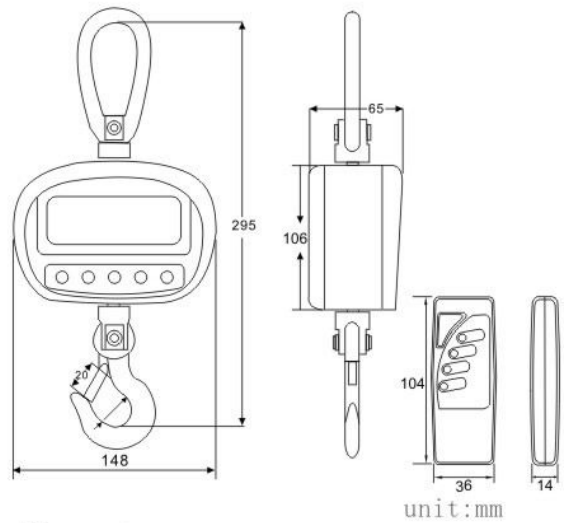




Digital Crane Scale

Blue Arrow XZ-GSE Crane Scale



Remote Controller

kN
lb kg
Lb/kg/kN
selectable

Built-in
beeper

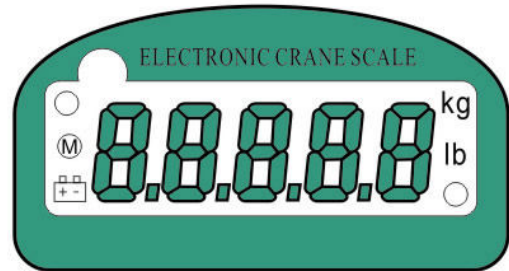
CE

AA
battery

Features

- Attractive designing with light engineering plastic housing
- Convenient 360° swivel shackle and hook
- Exclusive patent load cell, high accuracy
- With AA battery, built-in lithium battery or Ni-H battery selectable
- Selectable division value and weight unit
- Infrared control for your selection

LED Display



Technical Specifications

Executive Standard: GB/T 11883-2002
 Accuracy: OIML R76
 Time to Stable Reading: ≤8s
 Maximum Safe Load: 150%F.S.
 Ultimate Overload: 500%F.S.
 Overload Alarm: 100%F.S.+9e
 Operating Temperature: -10°C ~ 40°C
 Storage Temperature: -20°C ~ 60°C

Max Capacity	Division	Weight
50kg	0.02/0.01kg	1kg
100kg	0.05/0.02kg	1kg
150kg	0.05/0.02kg	1kg
200kg	0.10/0.05kg	1kg
300kg	0.10/0.05kg	1kg

Distributor (US and Canada)
Optoco Inc.
 600 - 2498 West 41st Ave
 Vancouver, BC, V6M 2A7
 Tel: 778-706-6933
 Email: info@optoco.ca
 Web: www.crane-scale.com

Specifications are subject to change without notice.