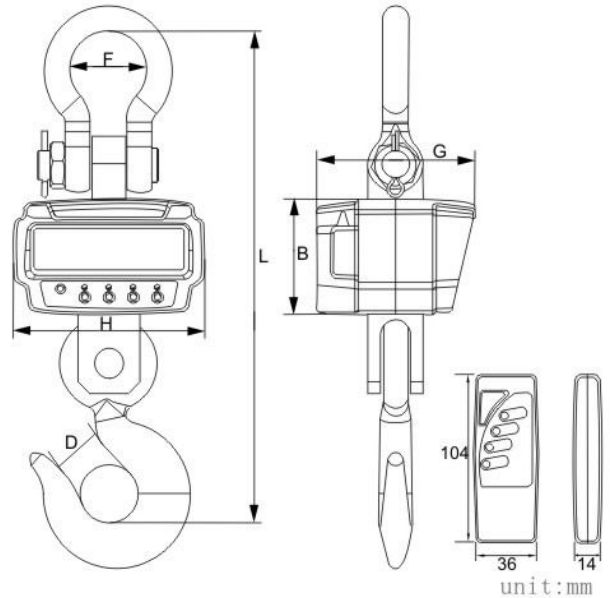




Digital Crane Scale

Blue Arrow XZ-JJE-Cross Crane Scale



Remote Controller

P II Indicator Selectable

kN
lb kg

Lb/kg/kN
selectable



Built-in
beeper



6V/4Ah
battery



Wireless

Features

- Aluminum diecasting alloy housing with strength and pleasant appearance
- Super bright 5 digit red LED display with 40mm height
- Infrared control with Peak Hold, Tare, Zero, Total function
- Optimized design, wireless palm indicator optional after upgrading

Technical Specifications

Executive Standard: GB/T 11883-2002
 Accuracy: M20 OIML R76
 Time to Stable Reading: $\leq 8s$
 Maximum Safe Load: 150%F.S.
 Ultimate Overload: 500%F.S.
 Overload Alarm: 100%F.S.+9e
 Operating Temperature: $-10^{\circ}\text{C} \sim 40^{\circ}\text{C}$
 Storage Temperature: $-20^{\circ}\text{C} \sim 60^{\circ}\text{C}$

Max Capacity	Division	B	H	L	F	G	D
1000kg	0.5/0.2kg	119	119	398	76	163	34
2000kg	1/0.5kg	119	119	398	76	163	34
3000kg	1/0.5kg	119	198	445	76	163	40
5000kg	2/1kg	119	198	511	80	163	48
10000kg	5/2kg	125	210	554	90	180	52
15000kg	10/5kg	135	220	685	135	190	60

Distributor (US and Canada)
Optoco Inc.
 600 - 2498 West 41st Ave
 Vancouver, BC, V6M 2A7
 Tel: 778-706-6933
 Email: info@optoco.ca
 Web: www.crane-scale.com

Specifications are subject to change without notice.